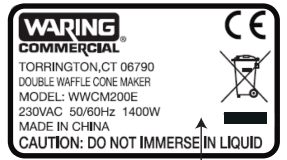


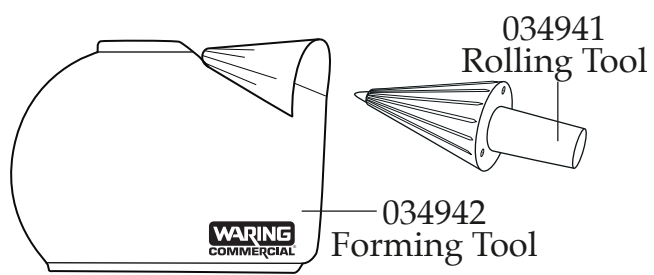
WARING COMMERCIAL®

Europe Double Waffle Cone Maker

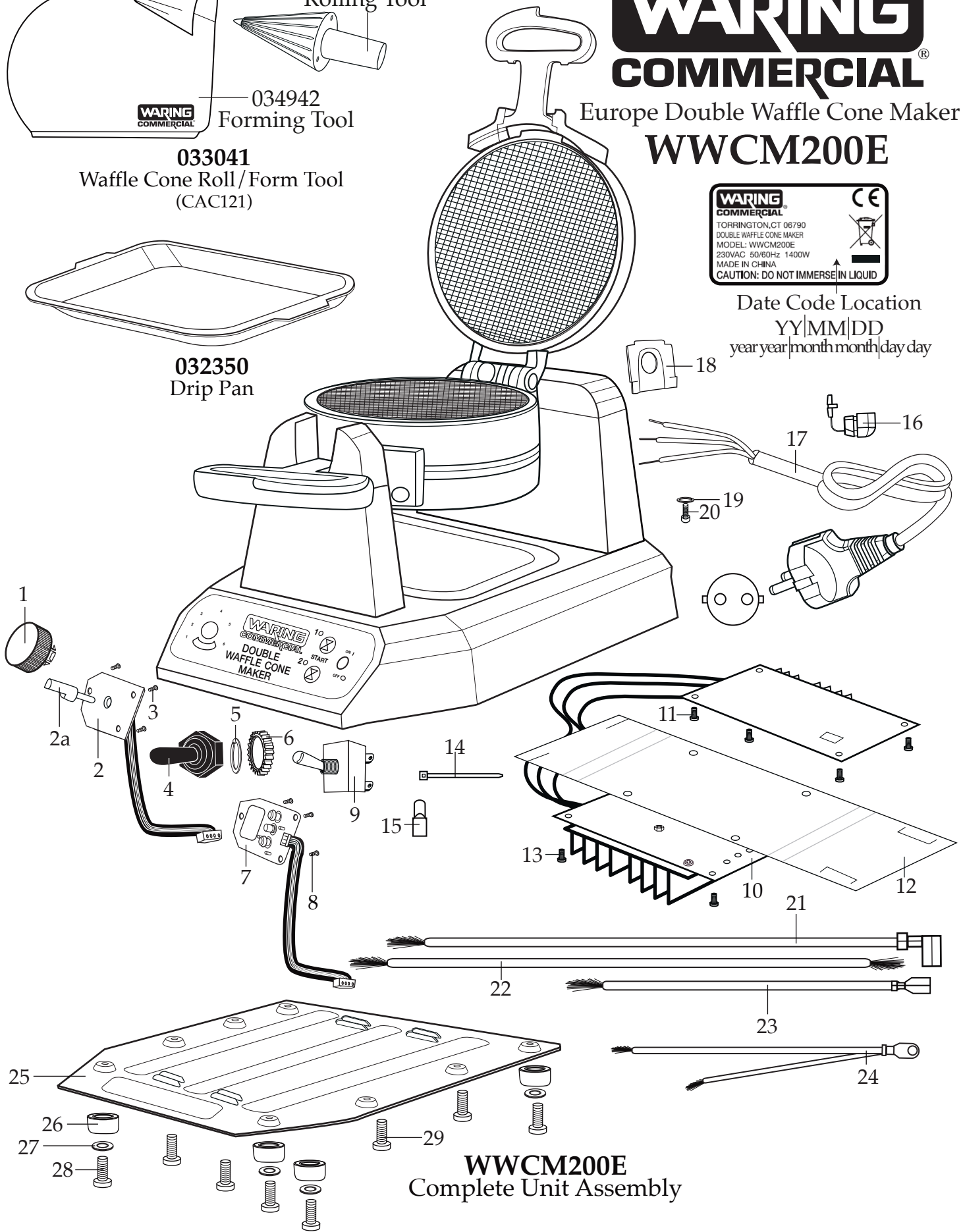
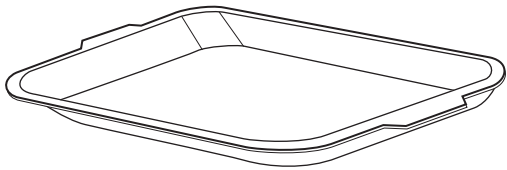
WWCM200E



Date Code Location
YY|MM|DD
year|month|month|day|day



033041
Waffle Cone Roll/Form Tool
(CAC121)



WWCM200E Complete Unit Assembly



Illustration #	Part #	Description
1	032352	Browning Control Knob with Insert
2	032358	Darkness Control Panel (thermostat)
2a	034162	Connection Pole
3	032359	Screw (3 required)
4	035321	Toggle Switch Boot
5	032356	Washer
6	035322	Toggle Switch Locking Ring
7	035318	Control Board
8	032359	Screw (3 required)
9	032747	ON-OFF Toggle Switch
10	035320	PCB Board and Power Board Assembly
11	032359	Screw (3 required)
12	030638	Power Board Shield
13	032359	Screw (4 required)
14	013731	Wire Tie (6 required)
15	019123 012409	Large Crimp Connector Small Crimp Connector (4 required)
16	032361	Strain Relief
17	032748	Cord Set
18	032371	Cord Plate
19	032751	Ground Spring Washer
20	035298	Ground Screw
21	035317	19.5" White Lead Assembly
22	032367	17" Red Lead Assembly
23	034934	6.25" Blue Lead Assembly
24	035319	Green-Yellow Ground Lead Assembly
25	032351	Bottom Plate
26	032353	Foot (4 required)
27	032354	Foot Washer (4 required)
28	032355	Screw (4 required)
29	032750	Bottom Plate Screw (4 required)